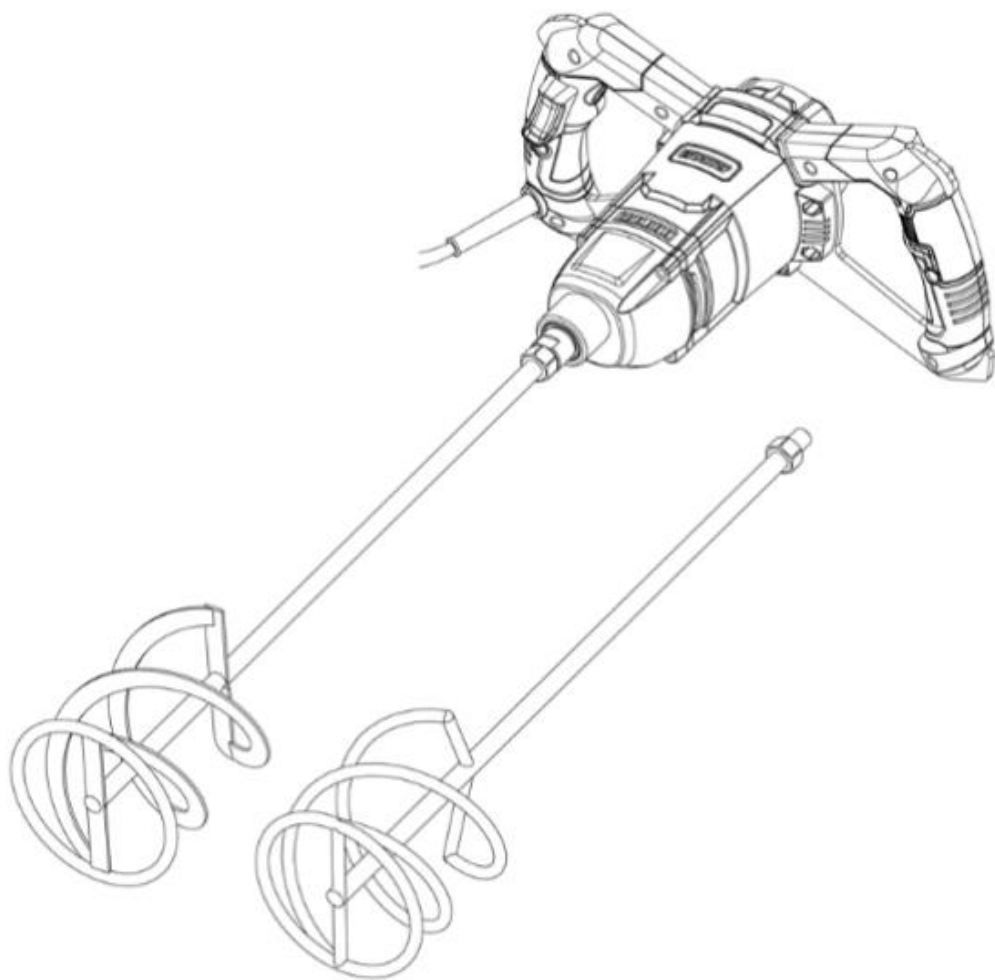








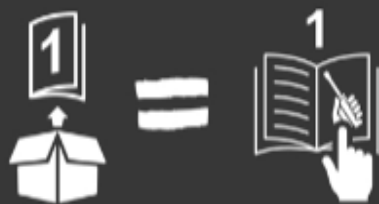




**PUCO Drills**



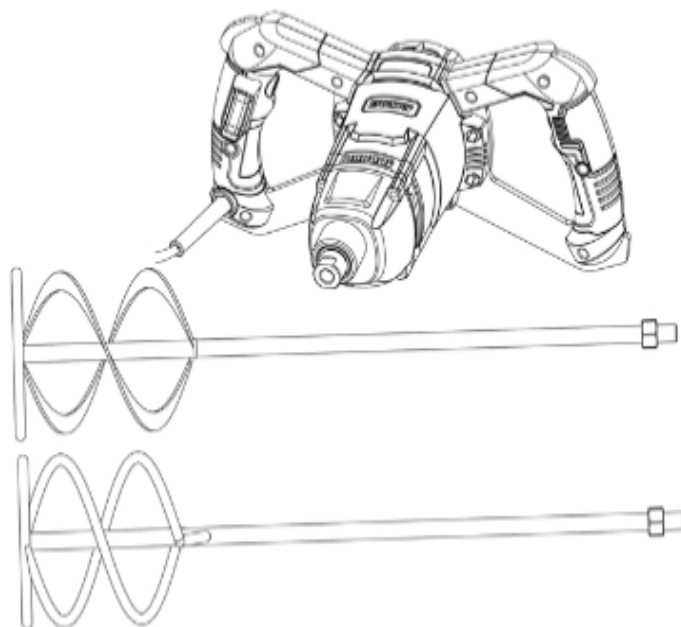
	Safety instructions	7
	Product description	18
	Assembly	21
	Use	23
	 Care & maintenance	26
	Guarantee	31
	Declaration of conformity	32



**WARNING!** Please read all safety warnings carefully and be sure that they are fully understood before handling the tool.



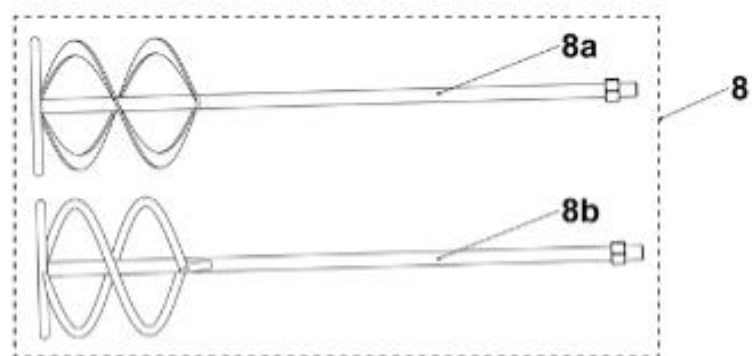
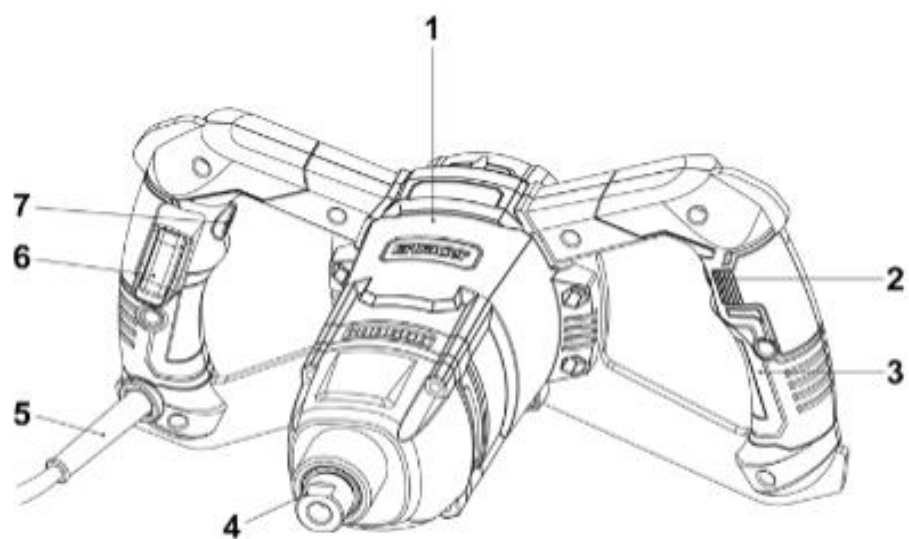
Supplied

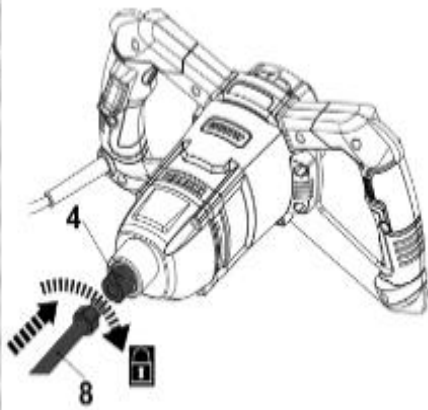
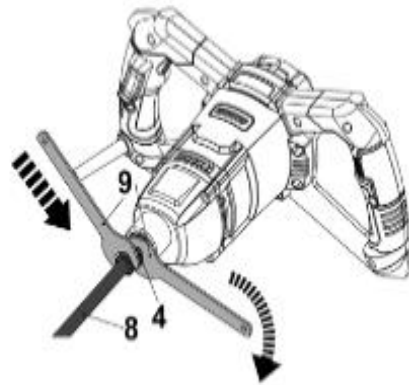
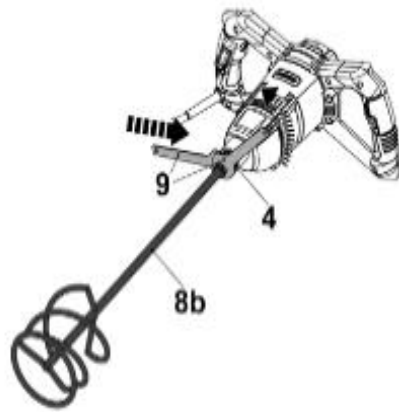
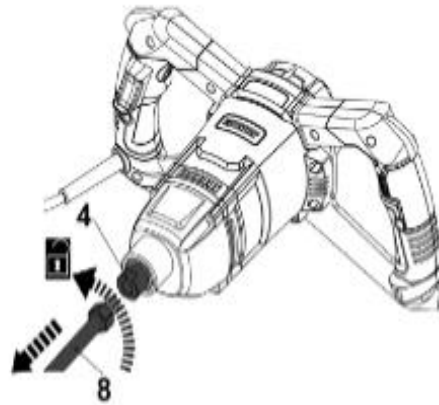
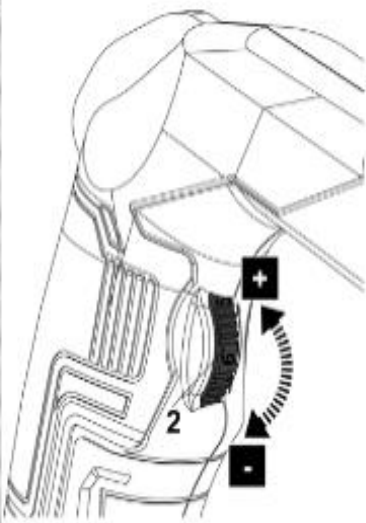
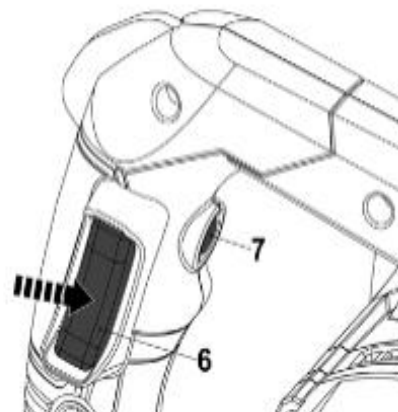


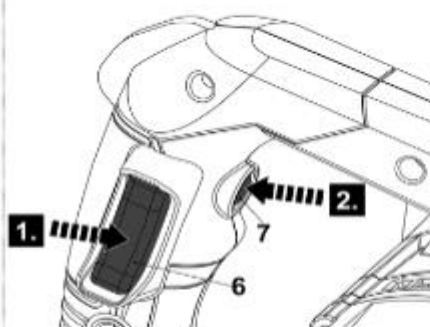
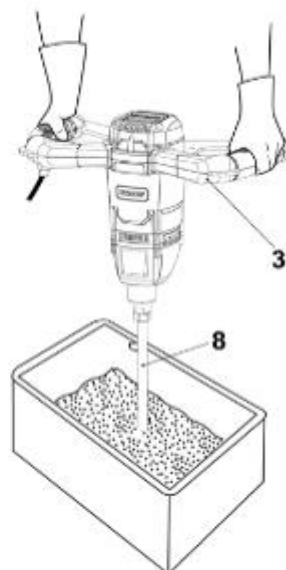


## Product description

**1**



**A****B****C****D****E****F**

**G****H**

Safety instructions

## GENERAL POWER TOOL SAFETY WARNING



**WARNING!** Read all safety warnings, instructions, illustrations and specifications provided with this power tool. Failure to follow all instructions listed below may result in electric shock, fire and/or serious injury.

**Save all warnings and instructions for future reference.** The term "power tool" in the warnings refers to your mains-operated (corded) power tool or battery-operated (cordless) power tool.

## Technical data

### General

Rated voltage, frequency	: 220-240 V~, 50/60 Hz
Rated power input	: 1600 W
Rated no load speed $n_0$	: 300-750 /min
Diameter of Mixer Paddle	: Ø 140 mm
Coupling thread	: M14
Protection class	: II
Weight	: approx. 6.5 kg
Sound values	
Sound pressure level $L_{pA}$	: 93 dB(A)
Uncertainty $K_{pA}$	: 3 dB(A)



**NOTE:** Do not start the mixing process on a high speed setting. This will cause the mixture to eject from the bucket and hit the operator or other bystanders.

Always start the mixing process with a lower speed. Increase the speed slowly until it reaches the most appropriate speed for mixing.



## Assembly

### 01 Unpacking

1. Unpack all parts and lay them on a flat, stable surface.
2. Remove all packing materials and shipping devices, if applicable.
3. Make sure the delivery contents are complete and free of any damage. If you find that parts are missing or show damage, do not use the product but contact your dealer. Using an incomplete or damaged product represents a hazard to people and property.
4. Ensure all the accessories and tools needed for assembly and operation are at your disposal, including suitable personal protective equipment.



**WARNING!** The product must be fully assembled before operation! Do not use a product that is only partly assembled or assembled with damaged parts!



Wear protective gloves for this assembly work and always lay the product on a flat and stable surface while assembling.



Do not connect the product to power supply before it is completely assembled!



**WARNING!** The product and the packaging are not children's toys! Keep plastics bags, sheets and small parts away from children. There is a danger of choking and suffocation!

### 02 Mixer paddle





**WARNING!** Mixer paddles are available in different types and with different shape and diameters. Always use the correct paddle according to the intended use!



Mixer paddle becomes hot during use! Handle them carefully! Wear protective gloves when handling paddle in order to avoid injuries like burns and cuts!



### Type and application scope

Type	Application scope
	For dense and sticky materials, in particular for cement, plasters, tile adhesives, mortars etc., the mixer paddle (8a) is recommended for mixing.
	For semi liquid materials, in particular for pointing mortars, tile mortars, tile adhesives etc., the mixer paddle (8b) is recommended for mixing.

#### Attaching the mixer paddle (Fig. A, B):

1. Align and screw the paddle (8) clockwise into the thread of socket (4) (Fig. A).
2. Lock the socket (4) with one mounting spanner (9) and secure the paddle (8) clockwise with the other mounting spanner (9) gripping the welded nut on the paddle (Fig. B).

#### Removing / replacing the mixer paddle (Fig. C, D)

1. Lock the socket (4) with one mounting spanner (9) and loosen the paddle (8) anticlockwise with the other mounting spanner (9) gripping the welded nut on the paddle (Fig. C).
2. Loosen the welded nut anticlockwise and remove the mixer paddle (8) from the thread of socket (4) (Fig. D).
3. Attach a new mixer paddle as required.





(EN) EU DECLARATION OF CONFORMITY  
(FR) DÉCLARATION UE DE CONFORMITÉ  
(PL) DEKLARACJA ZGODNOŚCI UE  
(RO) DECLARAȚIA DE CONFORMITATE UE  
(ES) DECLARACIÓN UE DE CONFORMIDAD  
(PT) DECLARAÇÃO DE CONFORMIDADE UE

Product/ Produit/ Produkt/Produsul/Producto/Produto

- 1600W Paddle Mixer/Pale de mélange/Mikser lopatkowy/Mixer cu paletă/Mezclador de paletas/Batedeira
- EPM1600
- Serial number: from 000001 to 999999

Name and address of the manufacturer or his authorised representative:  
Nom et adresse du fabricant ou de son mandataire:  
Nazwa i adres producenta lub jego upoważnionego przedstawiciela:  
Denumirea și adresa producătorului sau a reprezentantului său autorizat:  
Nombre y dirección del fabricante o de su representante autorizado:  
Nome e endereço do fabricante ou do respetivo mandatário:

Kingfisher International Products B.V.,  
Rapenburgerstraat 175E,  
1011 VM Amsterdam,  
The Netherlands

This declaration of conformity is issued under the sole responsibility of the manufacturer.  
La présente déclaration de conformité est établie sous la seule responsabilité du fabricant.  
Niniejsza deklaracja zgodności wydana zostaje na wyłączną odpowiedzialność producenta.  
Prezenta declarație de conformitate este emisă pe răspunderea exclusivă a producătorului.  
La presente declaración de conformidad se expide bajo la exclusiva responsabilidad del fabricante.  
A presente declaração de conformidade é emitida sob a exclusiva responsabilidade do fabricante.

Object of the declaration/Objet de la déclaration/Przedmiot deklaracji/Obiectul declarației/Objeto de la declaración/Objeto da declaração

Product/Produit/Produkt/  
Produsul/ Producto/ Produto

Model/Modèle/Model/Modelul/  
Modelo/ Modelo

EAN

1600W Paddle Mixer/Pale de  
mélange/Mikser lopatkowy/  
Mixer cu paletă/Mezclador de  
paletas/Batedeira

EPM1600

5059340043203  
5059340043197